

*September 11, 2001
We Will Remember*

Eagle Sirens, Inc.

P.O. Box 80705, Lansing, MI 48908-0705

(O) 517-627-0702 Fax: 517-627-3702

E-Mail: EagleSirens@comcast.net

**Electro-Mechanical Sirens
for Emergency Vehicles**

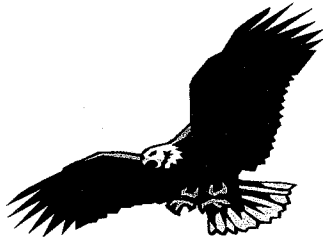
Congratulations!!

You are about to install the "new" *Screaming Eagle Siren*. It has been manufactured to the highest standards in the industry. Its dynamic power and sound provides the ultimate warning and coverage required during emergency responses. **Caution:** Use hearing protection during installation. **Note:** *Electrical wiring diagram must be followed to avoid cancellation of warranty.*

Enclosed, you will find the following:

- **INSTALLATION INSTRUCTIONS**
- **WIRING DIAGRAM**
- **MOUNTING TEMPLATES**
- **WARRANTY INFORMATION.**

***REMEMBER, ALWAYS PROTECT CHROME BY LAYING
DOWN A SOFT TOWEL BEFORE BEGINNING
INSTALLATION.***



Eagle Sirens, Inc.

P.O. Box 80705 Lansing, MI 48908-0705
(517) 627-0702 (O) Fax (517)627-3702
E-Mail: EagleSirens@aol.com

*September 11, 2001
We Will Remember*

**Electro-Mechanical Sirens
for Emergency Vehicles**

INSTALLATION AND WIRING INSTRUCTIONS

PLEASE READ

Take siren out of the box carefully. Set siren on pedestal to determine that the cab of truck will not hit siren when cab is raised. Using mounting template (Fig 1), drill four holes where you plan to mount pedestal siren. If siren is for a flush mount, use template (Fig 2) for proper hole location. After drilling holes for pedestal mount, push wires through large center hole and bolt in-place. To wire siren properly, follow Eagle Siren Wiring Diagram (Fig 3).

1. DO NOT DISMANTLE SIREN OR REMOVE REAR COVER.
2. DO NOT USE MOMENTARY DASH SWITCH.
3. DO NOT POWER FOOT SWITCHES.

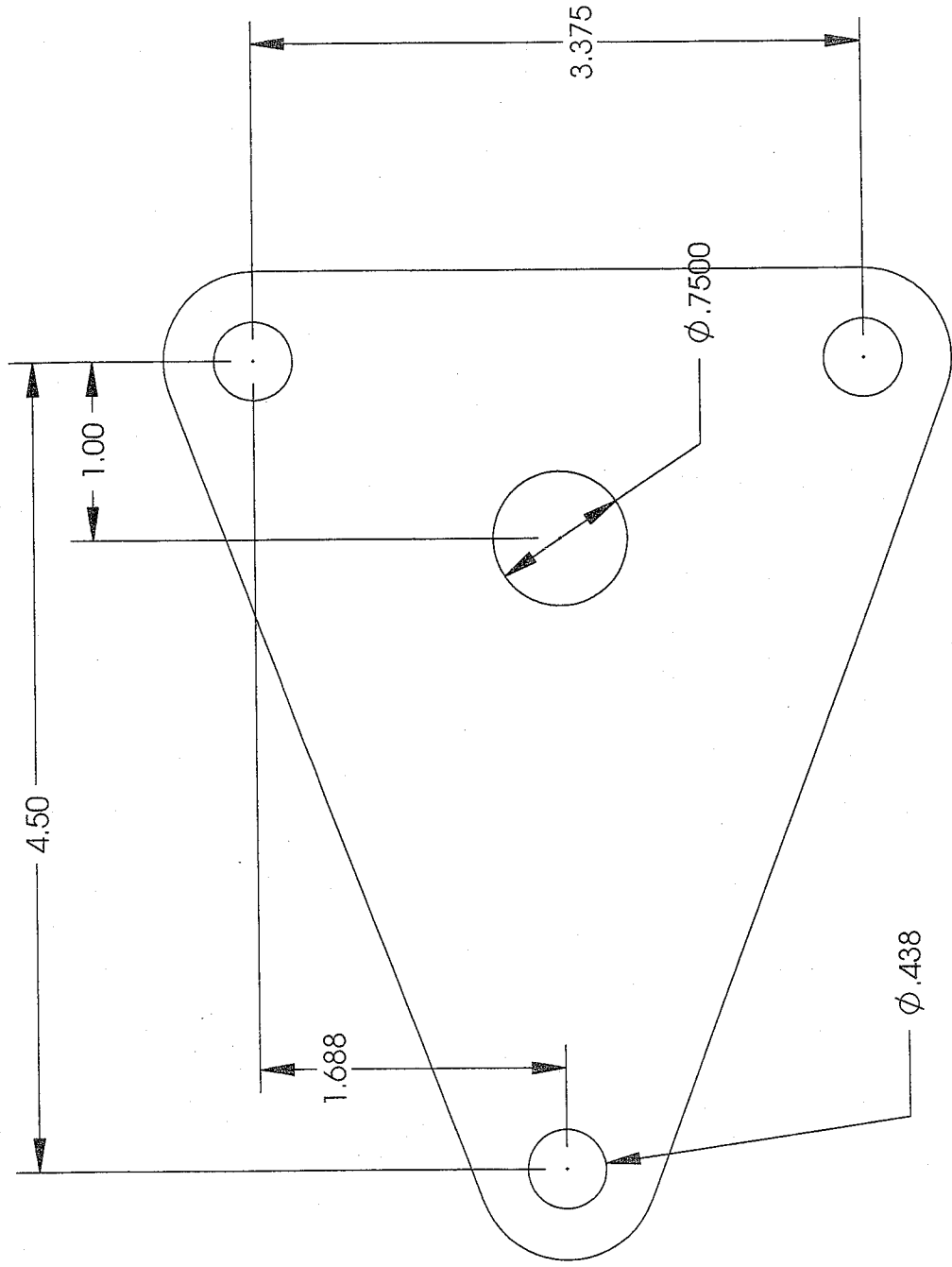
NOTE: WHEN DASH SWITCH IS ON IT ARMS FOOT SWITCHES AND RELEASES BRAKE.

WHEN DASH SWITCH IS OFF THE BRAKE IS ON & THE FLOOR SWITCHES ARE DEAD.

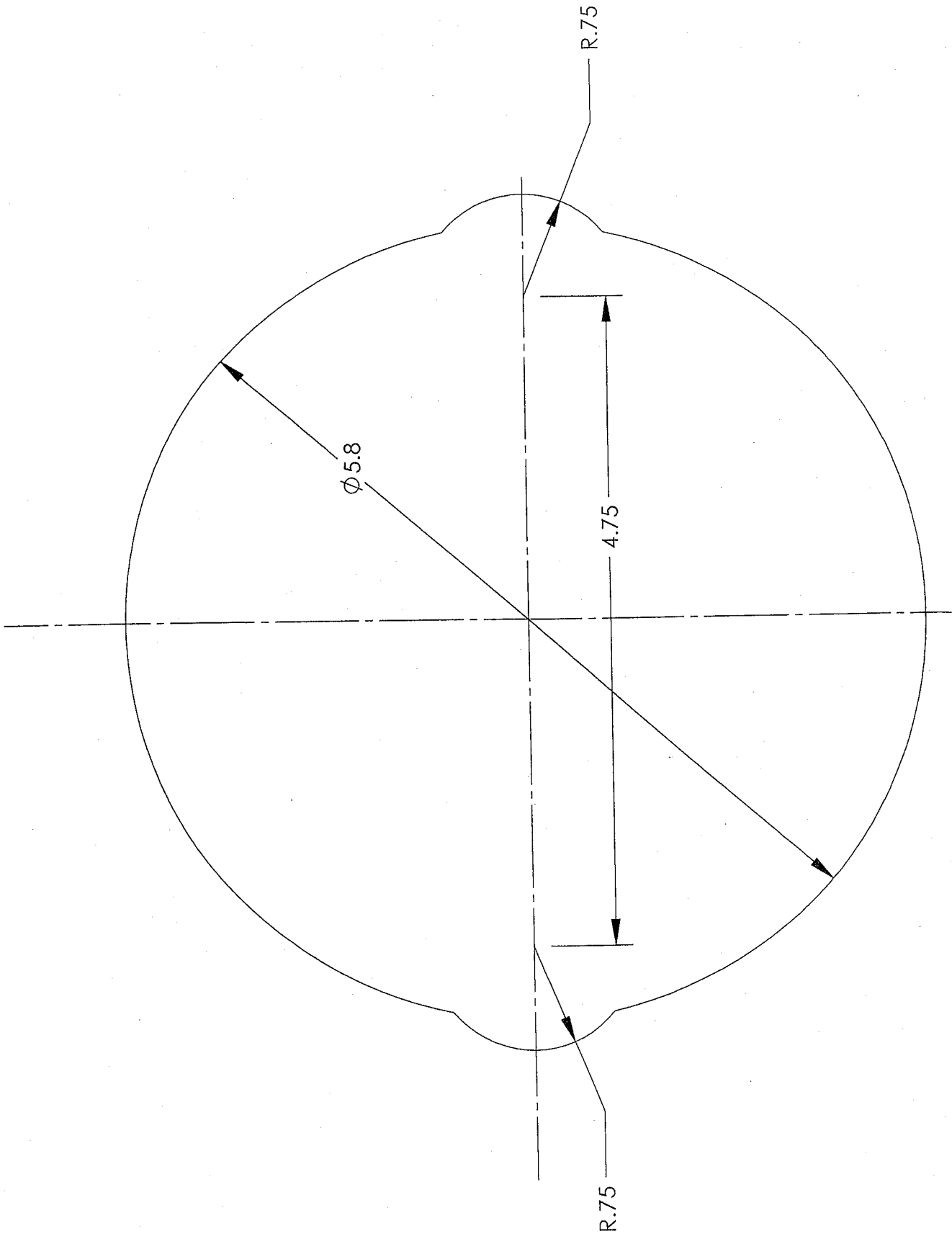
4. CONNECT (RED) 8 AWG WIRE TO SOLENOID, THEN FROM SOLENOID TO BATTERY POSITIVE + OR CRANKING MOTOR BATTERY POSITIVE + .
5. CONNECT (BLACK) 8 AWG WIRE TO A CLEAN GROUND OR CRANKING MOTOR BATTERY NEGATIVE .
6. CONNECT (GREEN) BRAKE WIRE TO LIGHTED (RED) ROCKER SWITCH ON DASH. RUN GREEN WIRE TO SOLENOID S TERMINAL (SEE WIRING DIAGRAM).
7. FROM (RED) ROCKER SWITCH ON DASH, RUN (ORANGE) 16 AWG WIRE TO OVERLOAD PROTECTION FUSE (15 AMP), THEN TO A POWER SOURCE.
8. FROM SOLENOID I TERMINAL RUN (BROWN) 16 AGW WIRE TO FLOOR SWITCHES. **NOTE: BE SURE TO PROPERLY GROUND FLOOR SWITCHES AND ROCKER SWITCH.**
9. **NOTE: SEE (Fig 4) FOR NESTING EAGLE SIREN TEMPLATE.**

CAUTION: FAILURE TO PROPERLY FOLLOW THE INSTALLATION AND WIRING INSTRUCTIONS MAY VOID WARRANTY.

ANSI WARNING: Failure to wear Hearing Protection and to operate Vehicle with windows up may result in the Loss of Hearing.



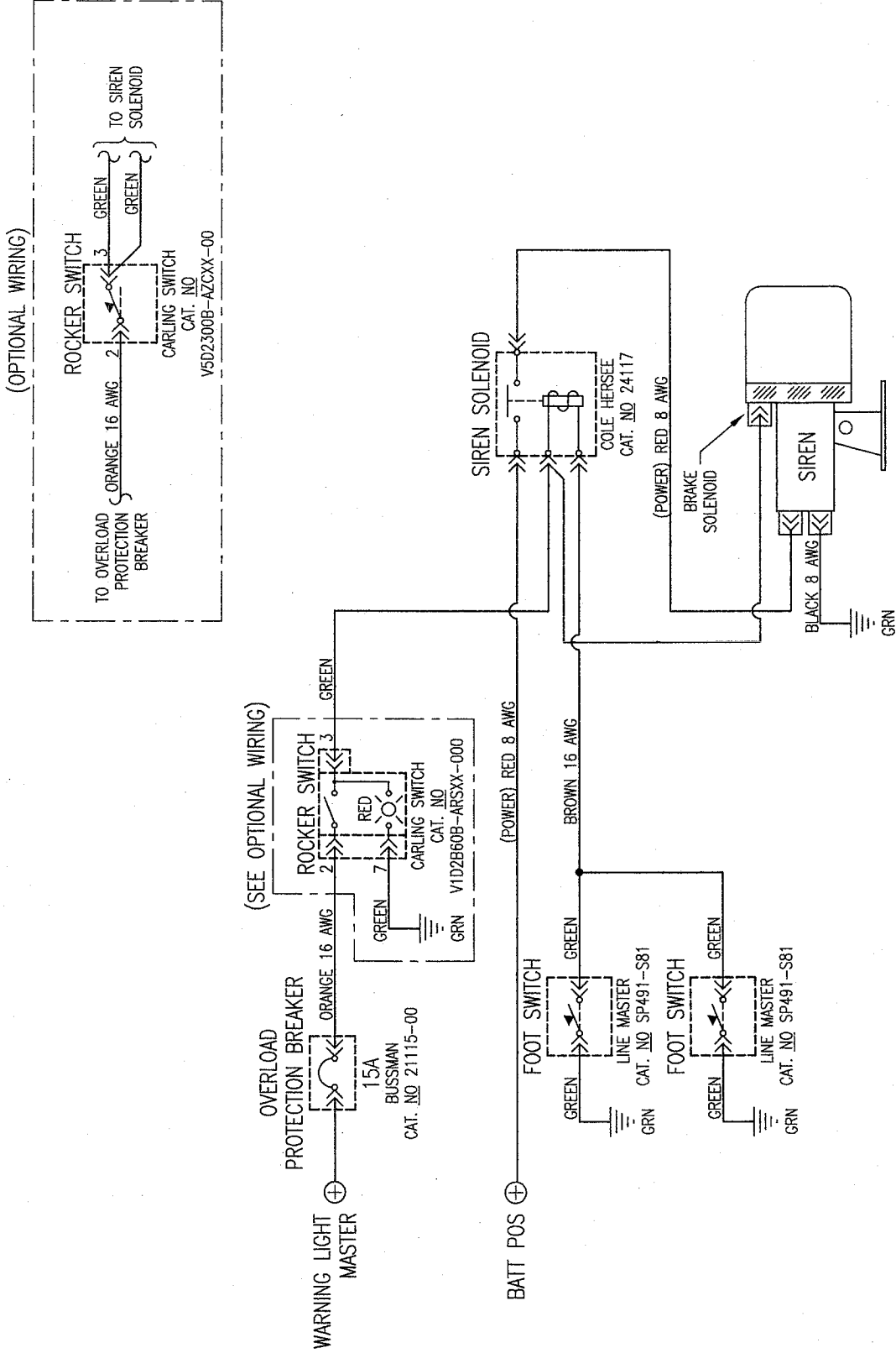
EAGLE SIREN PEDESTAL MOUNT TEMPLATE (Fig 1)



EAGLE SIREN FLUSH MOUNT TEMPLATE (Fig 2)

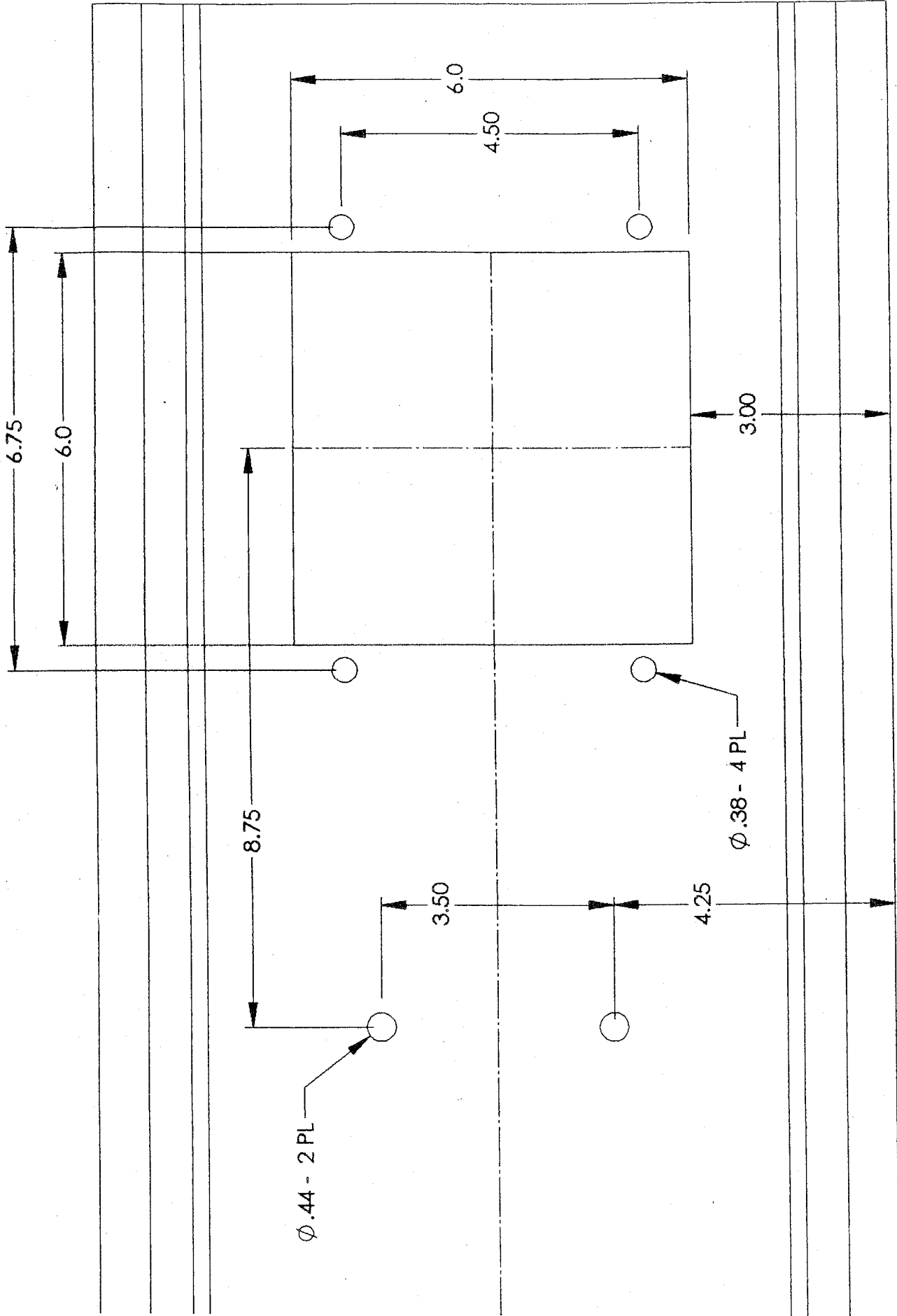
EAGLE SIREN WIRING DIAGRAM

(FIGURE 3)



EAGLE SIREN, INC.
 P.O. Box 80705 Lansing, MI 48908-0705
 (517) 627-0702 Fax (517) 627-3702
 E-Mail: Eaglesirens@comcast.net

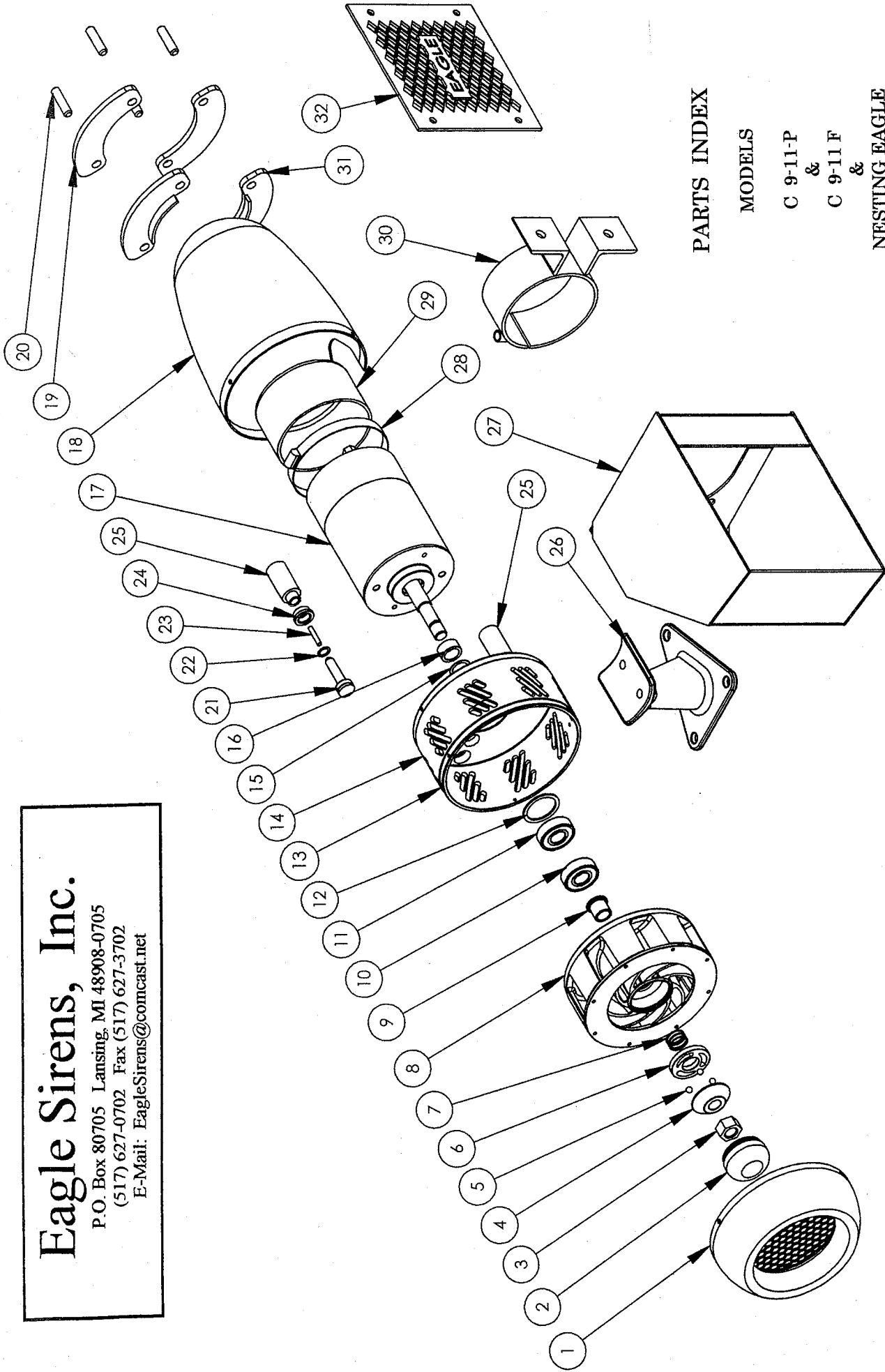
NOTE: THE SIREN IS NOT INTERNALLY GROUNDED THROUGH THE PEDESTAL.



“NESTING” EAGLE SIREN BUMPER CUTOUT (Fig 4)

Eagle Sirens, Inc.

P.O. Box 80705 Lansing, MI 48908-0705
 (517) 627-0702 Fax (517) 627-3702
 E-Mail: EagleSirens@comcast.net



PARTS INDEX

MODELS

C 9-11-P
&

C 9-11 F
&

NESTING EAGLE

'SCREAMING' EAGLE
SIREN

Eagle Sirens, Inc.

P.O. Box 80705 Lansing, MI 48908-0703

(517) 627-9702 Fax (517) 627-3702

E-Mail: EagleSirens@comcast.net

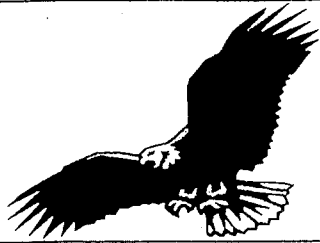
Revised August 9, 2009

EAGLE SIRENS PARTS

| | | Models: | C 9-11 P | C 9-11 F | C 9-11 NE |
|-------------------|--------------------------------|--------------------|-----------------|--------------|----------------|
| Parts List | | | | | |
| Item No. | Descripton | Part Number | Pedestal | Flush | Nesting |
| 1 | Nose/Grill Assembly (Chrome) | 101-31 | 1 | 1 | 0 |
| 2 | Dust Cover and O Ring | 190-10 | 1 | 1 | 1 |
| 3 | Stop Nut | 165-01 | 1 | 1 | 1 |
| 4 | Clutch # 1 | 190-24 | 1 | 1 | 1 |
| 5 | Clutch Ball Bearings (3) | 172-10 | 1 | 1 | 1 |
| 6 | Clutch # 2 | 190-23 | 1 | 1 | 1 |
| 7 | Clutch Spring | 132-21 | 1 | 1 | 1 |
| 8 | Rotor | 190-27 | 1 | 1 | 1 |
| 9 | Rear Bearing Spacer | 190-26 | 1 | 1 | 1 |
| 10 | Front Bearing | 170-22 | 1 | 1 | 1 |
| 11 | Rear Bearing | 170-22 | 1 | 1 | 1 |
| 12 | Snap Ring | 132-20 | 1 | 1 | 1 |
| 13 | Stator | 190-28 | 1 | 1 | 1 |
| 14 | Finger Guard | 190-33 | 1 | 1 | 0 |
| 15 | Shim Ring | 172-12 | 1 | 1 | 1 |
| 16 | Sleeve | 190-26 | 1 | 1 | 1 |
| 17 | Motor/12 Volt | 136-53 | 1 | 1 | 1 |
| 18 | Rear Housing (Chrome) | 101-30 | 1 | 0 | 0 |
| 19 | Flush Mounting Brackets (2) SS | 190-29 | 0 | 1 Set | 0 |
| 20 | 4 SS Studs with Hdw. | 172-11 | 0 | 1 Set | 0 |
| 21 | Solenoid Brake Plunger | 190-12 | 1 | 1 | 1 |
| 22 | Solenoid Nylon Washer | 190-30 | 1 | 1 | 1 |
| 23 | Solenoid Spring | 190-12 | 1 | 1 | 1 |
| 24 | Solenoid Mounting Nut | 138-17 | 1 | 1 | 1 |
| 25 | Solenoid (Pull Type) | 172-15 | 1 | 1 | 1 |
| 26 | Pedestal Mounting Bracket (SS) | 140-39 | 1 | 0 | 0 |
| 27 | Nesting Eagle Projection Hood | 190-32 | 0 | 0 | 1 |
| 28 | Motor Capt SS Clamp | 140-40 | 0 | 1 | 1 |
| 29 | Motor Cap | 140-39 | 0 | 1 | 1 |
| 30 | Nesting Eagle Mounting Bracket | 190-30 | 0 | 0 | 1 |
| 31 | Universal Brackets (2) SS | 138-16 | 0 | 1 Set | 0 |
| 32 | Nesting Eagle SS Grill | 102-10 | 0 | 0 | 1 |

ORDER PARTS BY ITEM NUMBER AND PART NUMBER**Eagle Sirens, Inc****Customer Service****P. O. Box 80705****Lansing, MI 48908-0705****(517) 627-0702****Fax (517) 627-3702**

Revised August 9, 2009



Warranty Registration Form

September 11, 2001
We Will Remember

To: **Eagle Sirens, Inc.**
P. O. Box 80705
Lansing, MI. 48908-0705

We have purchased (or our vehicle has been equipped with) a:

Eagle Siren Model Number: _____

Customer Name: _____

Address: _____

City: _____ State: _____ Zip: _____

OEM Mfg. or Dealer Name: _____

City: _____ State: _____ Zip: _____

Date of Purchase or Vehicle Delivery (Whichever occurs last): _____ / _____ / _____
Month Day Year

Product Serial Number: _____

Limited Liability Warranty: Eagle Sirens, Inc. products are warranted by the manufacturer for a period of one (1) years parts and one (1) year labor to be free from defects in material and workmanship. Chrome finishes are warranted for (90) days from the date of installation of the product on the vehicle. Electrical wiring components are warranted for one (1) year from the date of installation of the product on the vehicle. Siren must be returned (freight pre-paid) to Eagle Sirens, Inc., or one of it's authorized Repair Centers, for warranty repair. If, in it's evaluation of the problem, Eagle Sirens, Inc. determines that the product failed due to misuse, abuse, or improper installation, the warranty shall be void and repair(s) will be invoiced at current retail rates for parts and labor.

This Warranty Registration Form must be submitted directly to Eagle Sirens, Inc. at the above address within (30) days of the installation of the product on an emergency vehicle or delivery of a completed new emergency vehicle to the retail user, whichever comes last. Failure to submit the Warranty Registration Form within this time, may void the entire warranty, and no future claims for warranty parts and/or service will be honored. We would suggest that you keep a copy of the Warranty Registration Form for your records. **Eagle Sirens, Inc. reserves the right to refuse to honor the warranty, if, in it's opinion, the damage is caused by excessive wear, abnormal use, abuse, misuse, exterior damage or other damage not in keeping with the intended normal use of the siren.**