

SCREAMING EAGLE

The "Nesting Eagle"

ELECTRO-MECHANICAL SIREN

Low Amps, Loud Warning

- The only "Hidden" Mechanical Siren in the fire industry
- The perfect siren for departments with steel push bumpers
- Concealed mounting behind the bumper on all makes of fire apparatus
- Great for Apparatus without extended bumpers
- Penetrates traffic congestion for faster and safer emergency responses
- **Only 38 Amps** at continuous operation
- 123 decibels of sound
- SAE J1849 Certification



Grill View

Model C 9-11-NE

Hidden Mount

12v DC

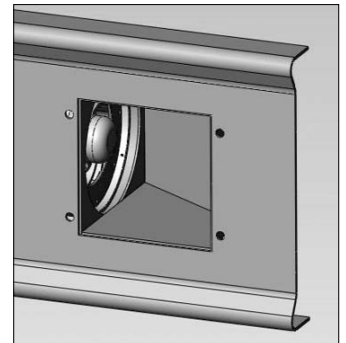
Dimensions:

16" L x 7" Deep

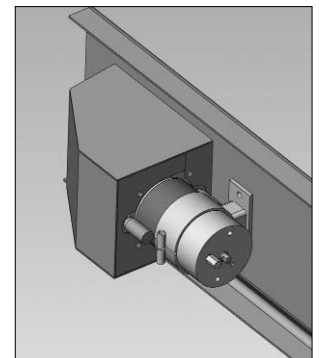
7" High

Cut out hole:

6" x 6"



Cutaway View No Grill



Cutaway View Mounting



September 11, 2001
We Will Remember

Eagle Sirens, Inc.

P.O. Box 80705 * Lansing, MI 48908-0705
Phone: (517) 627-0702 * Fax: (517) 627-3702
www.eaglesirens.com



MADE IN THE USA